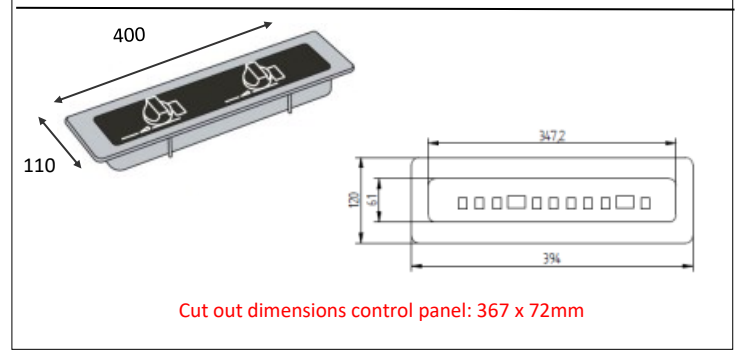
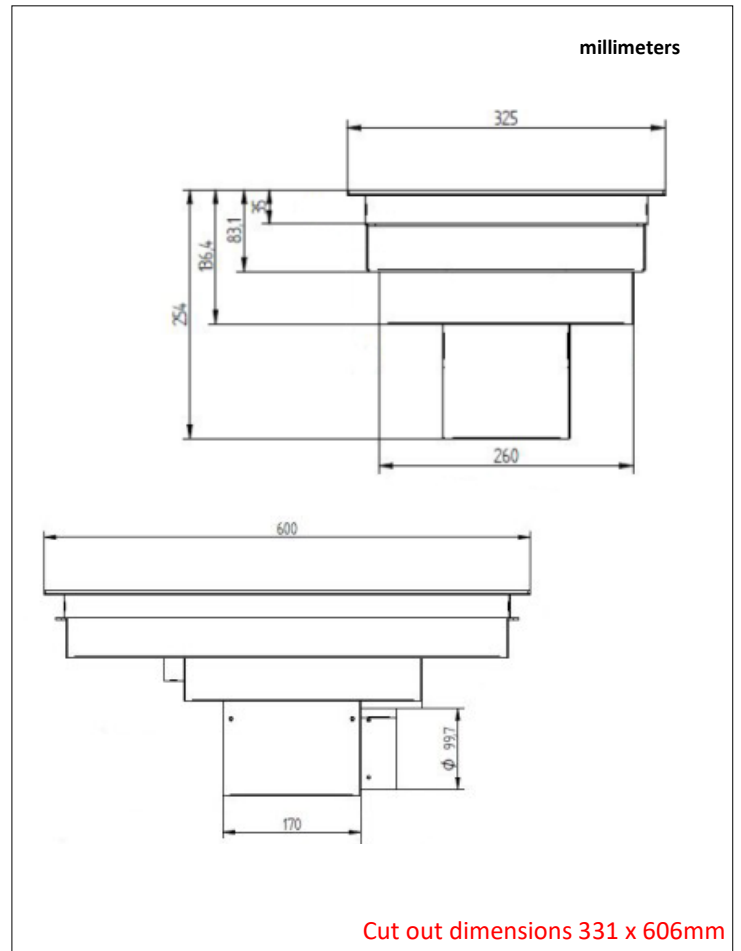


TECHNICAL FEATURES	
External structure	AISI 304 stainless steel
Dimensions	600 x 325
Power	5000W
Cooking surface	Vitroc ceramic glass.
Control panel functions	Knob controls + led for each zone Capacitive touches, 4 touches, timer and manual setting of temperature with 2 digit display for each zone.
Amp	2 x 11A
Power supply	230 V single-phase 32 amp 2 x 230V single-phase 16 amp 400V three-phase 16 amp with neutral
Weight	12.5 kg / 26.5 lbs.
Standards	Complies with European standards for safety of electrical appliances.
Details & Options	Including a power cord without plug



ADVENTYS
 Route de Pagny - 21250 Seurre - France
 www.adventys.com
 sales@adventys.com
 T: +33 3 80 20 46 15

Important note

Adventys reserves the right to modify specifications without notice.

